



**acdc** drivers provide a high performance solution for powering high-brightness LEDs from a mains supply

Constant current output of 350mA

The power factor corrected, class II driver has fully isolated, SELV output delivering up to 17W of power

This LED control gear is a high efficiency design, which ensures cool operation and long life

The compact enclosure is remote mounted and features screwless cable clamps.

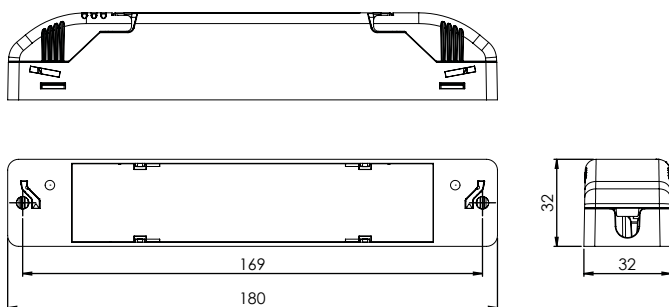
Open and short-circuit protected, with self-resetting over temperature trip

Ambient temperature rating of -25°C to 50°C

**acdc** LED range – 4 to 13 LEDs

Technical Specification	
Mains input voltage	220 - 240Vrms
Mains frequency	47 to 63Hz
Power factor at full load	>0.95 (0.98 typical)
Efficiency at full load	88% typical
Mains surge protection	4kV common-mode 2kV differential
Input-output isolation	3.75kV ac rms
Ambient temperature range (Ta)	-25°C to 50°C
Maximum case temperature (Tc)	80°C
Humidity	95% max non-condensing
Thermal trip	110°C self resetting
Maximum output power	17W
Output current	350mA
Output current accuracy	./- 5%
LED string voltage	6V to 48V
Enclosure	White polycarbonate UL94-V0 rated
Dimensions	180 x 32 x 32 mm
Air Volume	500cm <sup>3</sup>
Terminal blocks	Rising clamp 10mm input 5mm output pitch
Max recommended wire size	0.5mm <sup>2</sup> to 1.5mm <sup>2</sup>
Weight	120g
Compliance standards	EN61347-2-13 EN61000-3-2 EN61000-3-3 EN61547 EN55015 EN62384

### Dimensions



### Wiring Diagram



Secondary Cable	Distance in Metres				
	<35m	<50m	<75m	<90m	<100m
Cross section area per conductor	0.5mm <sup>2</sup>	1mm <sup>2</sup>	1mm <sup>2</sup>	1.5mm <sup>2</sup>	2.5mm <sup>2</sup>