



Output current of 350mA

Full DALI dimming support from 100% to 10% output current and the ability to turn completely off

Ability to control individual LED luminaires and simultaneous control of all or specified groups

High efficiency design ensures cool operation and long life. There is an extra benefit of a very low off power

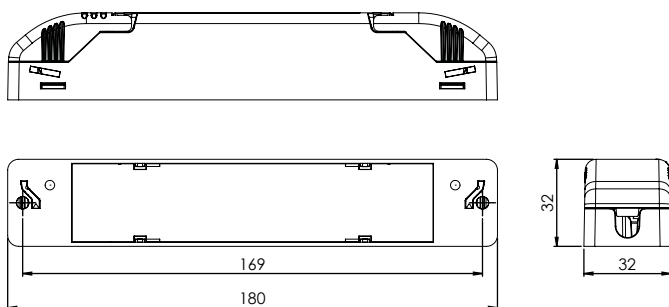
Compact enclosure and fast assembly

Ambient temperature rating of -25°C to +50°C

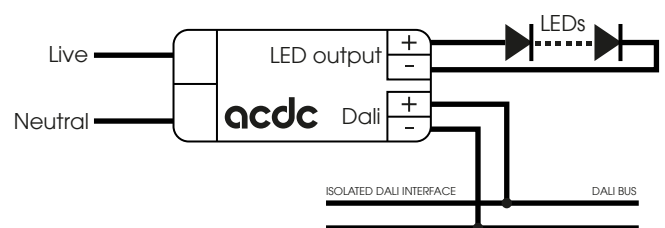
**acdc** LED range – 5 to 3 LED's

Technical Specification	
Mains input voltage	220 - 240Vrms
Mains frequency	47 to 63Hz
Power factor at full load	>0.95 (0.98 typical)
Efficiency at full load	85% typical
Mains surge protection	4kV common-mode 2kV differential
Input-output isolation	3.75kV ac rms
Ambient temperature range (Ta)	-25°C to 50°C
Maximum case temperature (Tc)	80°C
Humidity	95% max non-condensing
Maximum output power	17W
Output current	350mA
Dimming Range	Off, 10%-100%
Output current accuracy	+/- 5%
LED string voltage	15V to 43V
Input power when output is off	<0.3w
Enclosure	White polycarbonate UL94-V0 rated
Dimensions	180 x 32 x 32 mm
Air Volume	500cm <sup>3</sup>
Terminal blocks	Rising clamp 10mm input 5mm output pitch
Max recommended wire size	0.5mm <sup>2</sup> to 1.5mm <sup>2</sup>
Weight	120g
Compliance standards	EN61347-2-13 EN61000-3-2 EN61000-3-3 EN61547 EN55015 EN62384

### Dimensions



### Wiring Diagram



Secondary Cable	Distance in Metres				
	<35m	<50m	<75m	<90m	<100m
Cross section area per conductor	0.5mm <sup>2</sup>	1mm <sup>2</sup>	1mm <sup>2</sup>	1.5mm <sup>2</sup>	2.5mm <sup>2</sup>