



Output current of 700mA

Full DALI dimming support from 100% to 1% output current and the ability to turn completely off.

Individual and Group Control

Ability to control individual LED luminaires and simultaneous control of all or specified groups.

High Efficiency and Long Life

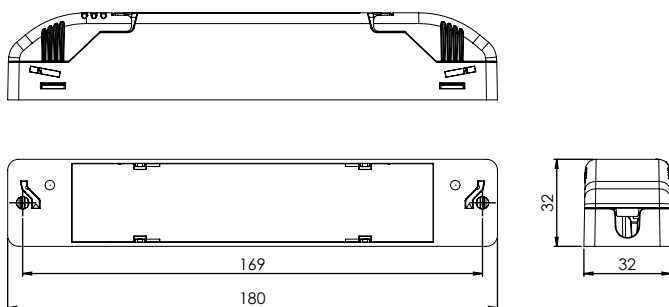
High Efficiency design ensures cool operation and long life.

Ambient temperature rating of -25°C to +50°C

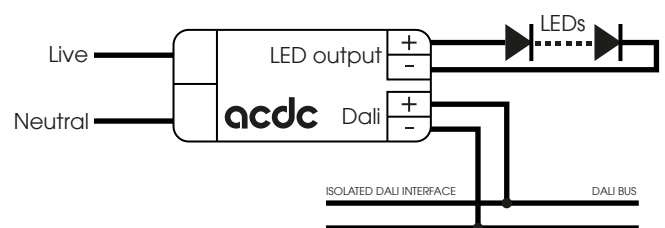
acdc LED range – 3 to 4 LED's

Technical Specification	
Mains input voltage	220 - 230Vac RMS Nominal
Mains frequency	47 to 63Hz
Power factor at full load	>0.9
Efficiency at full load	80% typical
Mains surge protection	4kV common-mode 2kV differential
Input-output isolation	3.75kV ac rms
Ambient temperature range (Ta)	-25°C to 50°C
Maximum case temperature (Tc)	80°C
Humidity	95% max non-condensing
Maximum output power	14W
Output current	700mA
Dimming Range	1%-100%
Output current accuracy	+/- 5%
LED string voltage	6 -20V
Input power when output is off	<0.4w
Enclosure	White polycarbonate UL94-V0 rated
Dimensions IP20	180 x 32 x 32 mm
Airspace volume	500cm ³
Terminal blocks	Rising clamp 10mm input 5mm output pitch
Max recommended wire size	0.5mm ² to 1.5mm ²
Weight	120g
Compliance standards	EN61347-2-13 EN61000-3-2 EN61000-3-3 EN61547 EN55015 EN62384

Dimensions



Wiring Diagram



Secondary Cable	Distance in Metres				
	<35m	<50m	<75m	<90m	<100m
Cross section area per conductor	0.5mm ²	1mm ²	1.5mm ²	2.5mm ²	4mm ²